



# Myerson Dispute Resolution

Intellectual Property Disputes

0161 941 4000  
myerson.co.uk  
lawyers@myerson.co.uk



myerson

# Welcome

For many businesses, Intellectual Property (IP) is their most valuable asset. It is vital to obtain specialist legal advice regarding the management, exploitation and protection of your IP. It is important that IP assets are protected from potential competitors, so you control how you exploit them. To do this, you will need the advice of a specialist intellectual property dispute solicitor to ensure legal recognition and enforcement of the ownership of your IP rights.

## Why Myerson?

At Myerson, our intellectual property dispute solicitors are experts in advising on all aspects of protecting and exploiting your IP, putting you in control of how your IP is used. We will work with you to compile IP strategies that ensure your IP is protected.

We are proud to be ranked as **'Top Tier'** in the prestigious international directory **The Legal 500** and commended by The Times **'Best Law Firms 2019'**. So, you can be certain that you will be receiving the highest quality legal advice and that we can advise you on complex Intellectual Property issues.

Myerson is also a member of the Intellectual Property Lawyers Association (IPLA) which is an association of law firms with an established IP department. Our membership provides both us and our clients with access to a wealth of knowledge and expertise relating to intellectual property.

Through our many years of service, we have close working relationships with trademark and patent attorneys and regularly liaise and work with them on a wide range of intellectual property issues such as registering trademarks, patents and design rights and when disputes arise in relation to intellectual property rights. These working relationships are a key element of the service we offer to our clients and which benefits our clients.

Myerson is also the Manchester and Cheshire law firm member for the **MSI Global Alliance**, a top 20 ranked, leading, international association of independent professional firms. As the IP matters, we deal with often involve an international element; we can call upon the expertise and knowledge of our fellow MSI members to ensure that our client's global interests are protected.

You can find out more about our **Intellectual Property Team** by [clicking here](#).

0161 941 4000  
myerson.co.uk  
lawyers@myerson.co.uk



# How We Work.

Every case is different, and we are here to support you every step of the way.

**Personal, Partner-Led Service.** Our experienced solicitors get to know you and your business inside out, so we can best advise you. We know that dealing with litigation can be stressful, and we aim to take that stress away from you. We strive to become your trusted advisers, providing value and most of all, a genuine, personal service.

**The Highest Level of Expertise.** Combining commerciality, practicality and legal expertise enables us to deal with copyright disputes in the most effective way. We can deal with a wide variety of intellectual property disputes such as copyright, trademark, passing off, design rights, patents and misuse of confidential information claims.

**Trust. You are in safe hands.** We help clients nationwide with complex cases, acting for businesses who are both bringing and defending intellectual property claims. You can rest assured that our expert team knows its stuff!



# Your Solicitors



## Tim Norman

**Senior Partner**  
**Commercial Litigation**

0161 941 4000  
tim.norman@myerson.co.uk



## Vicky Biggs

**Senior Associate**  
**Commercial Litigation**

0161 941 4000  
vicky.biggs@myerson.co.uk



## Robert Brothers

**Associate**  
**Commercial Litigation**

0161 941 4000  
robert.brothers@myerson.co.uk

---

**The solicitors that will be working with you are specialists.**

Your matter will be handled discreetly and efficiently and overseen by Tim Norman, a Senior Partner in the Commercial Litigation Team.

Your team of solicitors will provide practical advice and work with you to deal with your intellectual property dispute in the best way possible. This means you can concentrate on what's important, running your business.

You can find out more about our **Intellectual Property Disputes Team** by **clicking here**.

0161 941 4000  
myerson.co.uk  
lawyers@myerson.co.uk





# Intellectual Property Disputes

## What are intellectual property rights?

Intellectual property rights is a phrase used to cover a variety of legal rights which can either arise automatically or be registered in respect of creative works, whether that's a brand identity, trademark, know-how, confidential information or artistic/dramatic works.

## What can be protected?

A wide variety of different types of intellectual property can be protected such as literary and artistic works, films, computer programs, databases, inventions, 3D designs, and marks or signs to promote goods.

## Who can own intellectual property rights?

Intellectual property rights are full property rights. They can be held by individuals or companies. They can be assigned or mortgaged, and licences may be granted in respect of them.

## Types of intellectual property rights

Intellectual property rights include copyright, trademarks, passing off, design rights, patents, domain names and confidential information. To find out more about these different types of **intellectual property rights**, [please click here](#).

It is crucial to understand what intellectual property rights are held so that they may be exploited and protected effectively.

# How to protect intellectual property rights

There are many practical ways to protect work. For example:

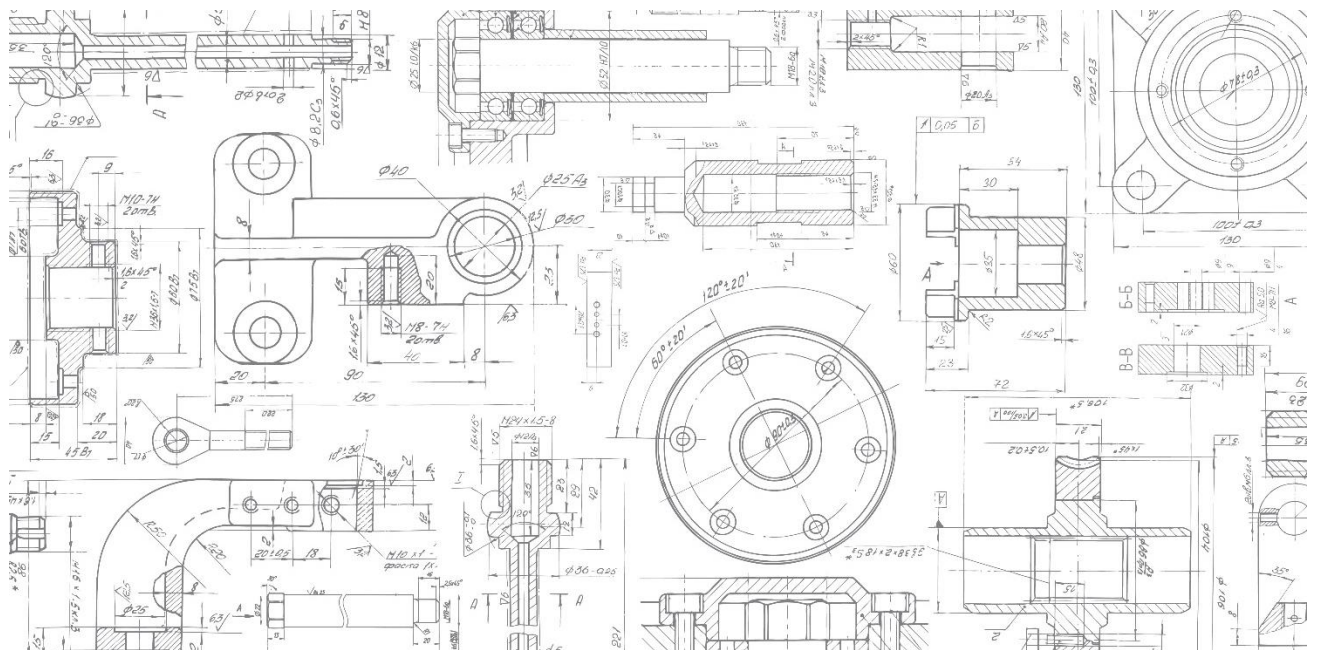
1. **Copyright ©** You can make your copyright protection stronger by making it clear to the wider public that it is protected by copyright. Adding the copyright symbol ©, your name and the date of creation.
2. **Registration ®** There are formal registration procedures in most countries that allow you to formally record ownership of designs and trademarks. The UK Intellectual Property Office processes registration applications in the UK. Adding the registered ® symbol to your mark will also let others know that it is protected and help prevent unauthorised exploitation.
3. **Licencing.** It may be commercially beneficial to allow others to use your intellectual property rights. By granting a licence you can govern the use of your rights and receive remuneration in the form of a licence fee. This is one of the safest ways of ensuring your intellectual property rights are protected if you are allowing someone else to use them.

## Should I enforce my intellectual property rights if I know they have been breached?

Yes. It is important to act without delay if you become aware of activities that could breach your intellectual property rights. If you choose to do nothing this may encourage an infringer to continue or scale up their activities. There are specific laws that help to prevent intellectual property infringement. These may be enforced initially by writing a letter to the infringer and if that does not resolve the dispute by issuing Court proceedings.

# I have been accused of intellectual property infringement, what should I do?

Intellectual property is a complex area of law and therefore it is recommended you obtain specialist legal advice if you are accused of breaching someone else's intellectual property rights. There may be defences available to you such as consent, permitted acts and fair dealing.



# Don't just take our word for it...

***"Myerson Solicitors LLP has a really strong IP team which is growing."***

***"We have received excellent professional services from Myerson Solicitors to help resolve the dispute on the IPO on our former company name TechCleaners Limited. We ended up getting a better brand name <https://techdisinfect.co.uk>. They provided great advice and with their professional advice, we managed to resolve the dispute in no time with a great outcome overall. Myerson are highly recommended to anyone for their services on any legal matters"***

***"The Intellectual Property Disputes Team has a lot of experience of litigating unregistered IP rights. They are very strategic and extremely thorough. The team routinely advises on a broad range of disputes relating to trademarks, copyright, patents, confidential information, and data protection. They are also skilled at advising on design rights and reputation management issues and are regularly instructed by clients from the arts, media, textile, and clothing sectors in the UK and internationally. They are attracting work from a broad range of clients"***

***"The team has an excellent way of dealing with clients and managing cases generally, as well as good judgment – they know when to push, and when to take the victory"***

***"The team are phenomenally hard workers who produce first class written work, even from difficult clients"***

To view more Myerson reviews visit our Review Solicitors page by [clicking here](#).



# You're in safe hands!

If you would like further information about how we can help you, or if you have any questions, please don't hesitate to contact a member of our Dispute Resolution Team today.

**Call: 0161 941 4000**

**Click: [myerson.co.uk](http://myerson.co.uk)**

**Email: [lawyers@myerson.co.uk](mailto:lawyers@myerson.co.uk)**



 SCAN ME



Because  
life is rarely  
**black** and  
**white.**



myerson

THE TIMES

**Best Law  
Firms 2019**

In co-operation with 

**ML  
AWARDS  
2021**

**WINNER**

**The  
LEGAL  
500**

UNITED KINGDOM

**TOP TIER**

**Myerson Solicitors LLP**

Grosvenor House, 20 Barrington Road, Altrincham WA14 1HB

Tel: 0161 941 4000 | Fax: 0161 941 4411 |

[lawyers@myerson.co.uk](mailto:lawyers@myerson.co.uk) | [www.myerson.co.uk](http://www.myerson.co.uk) |  [@myersonllp](https://twitter.com/myersonllp)